

MIDLAND®



ALAN 48 PLUS MULTI

CE0648

DECLARATION OF CONFORMITY N° 02061001

Manufacturer **C.T.E. International S.r.l.**
Address Via Sevardi 7 42010 Mancasale RE Italy
Products Name **ALAN 48 PLUS MULTI**
Product Type CB Transceiver

The product described above is in conformity with the following Specifications based on sample testing:

Document N°	Title	Date of issue
EN 301 489-13	ElectroMagnetic compatibility and Radio spectrum Matters (ERM);ElectroMagnetic Compatibility (EMC) standard for radio equipment and services;Part 13: Specific conditions for Citizens' Band (CB) radio and ancillary equipment (speech and non-speech)	09/2000
EN 300 433-2	Electromagnetic compatibility and Radio spectrum Matters (ERM);Land Mobile Service;Double Side Band (DSB) and/or Single Side Band (SSB) amplitude modulated citizen's band radio equipment;Part 2: Harmonized EN covering essential requirements under article 3.2 of R&TTE Directive	12/2000
EN 300 135-2	ESSENTIAL REQUIREMENTS ONLY Electromagnetic compatibility and Radio spectrum Matters (ERM);Angle-modulated Citizens Band radio equipment (CEPT PR 27 Radio Equipment);Part 2: Harmonized EN covering essential requirements under article 3.2 of R&TTE Directive	08/2000
EN 60950	ESSENTIAL REQUIREMENTS ONLY Safety of Information Technology Equipment	2000

The equipment is also in conformity to following national laws:

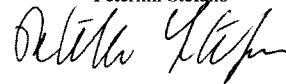
Germany: BAPT 222 ZV 104
Greece: T/R 20-02
Ireland: S.I. No 436 of 1998. WIRELESS TELEGRAPHY ACT, 1926 (SECTION3) (EXEMPTION OF CITIZENS' BAND (CB) RADIOS) ORDER, 1998
Italy: D.M. 15-07-77 - D.M. 02-04-85
Spain: Artículo 57 de la Ley 11/1998 de 24 de Abril
United Kingdom: UK-RA-MPT 1382/MPT1320; UK-R&TTE -S.I.L. 2000:730

Supplementary information relevant the conformity assessment result:

The tested sample fulfils the requirements specified above, on the basis of the test results and their evaluation, as show in the following Test reports enclosed in the technical construction file. The product herewith complies with the requirements of EC Directive 99/5/EEC 89/336/EEC 92/31/EEC 93/68/EEC 73/23/EEC 93/97/EEC. Reference to any marking or other indication (e.g. on the product) is exhibited in attachment to present declaration.

Reggio Emilia 10/06/02

CTE International
Quality Assurance Manager
Peterlini Stefano



C.T.E. International s.r.l. Via R.Sevardi 7 - 42010 Mancasale - Reggio Emilia Italy

INDEX

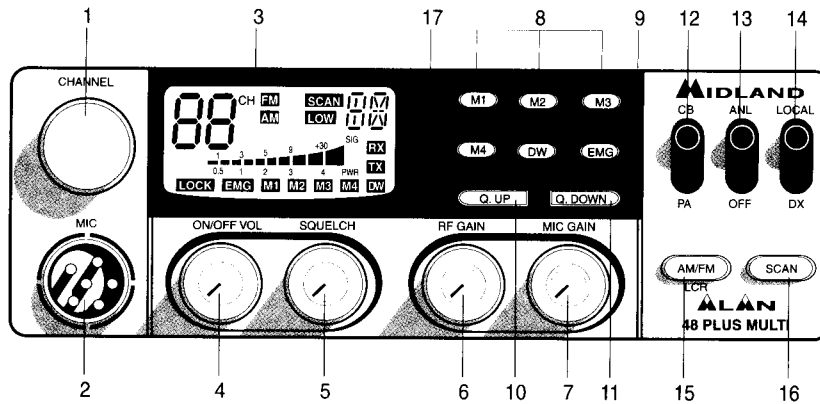
Introduction	Pag. 1
Function and location of the controls	Pag. 2
Installation	Pag.5
Power supply	Pag.5
Installing an antenna	Pag.5
How to operate with your transceiver	Pag.6
Frequency band selection	Pag.6
Frequency band chart	Pag.6
Technical specifications	Pag.7

ENGLISH

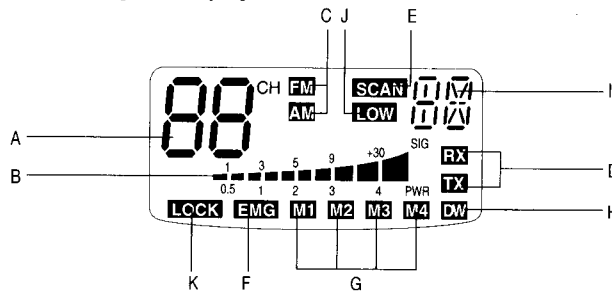
Your ALAN 48 PLUS MULTI represents the state-of-the art in high-tech engineering. Designed for the Citizen Band Mobile operation, this compact package is big in performance. It is a quality piece of electronic equipment, skillfully constructed with the finest components. The circuitry is all a solid-state, mounted on rugged printed circuit boards. It is designed for many years of reliable, trouble-free performance. The night-light buttons allow the night use. Your ALAN 48 PLUS MULTI has a built Channel Phase-Locked Loop synthesizer circuit.

The PLL circuit achieves a new technique for generating all the required frequencies with fewer crystals. The result is much tighter frequency control and superior reliability.

FUNCTION AND LOCATION OF THE CONTROLS



1. **Channel selector**
2. **Microphone jack:** Insert the mic connector into this jack.
3. **Multifunction backlitged display.**



- A. Channel selected number
 - B. The received signal strength and the power of the transmitting signal
 - C. **AM/FM** mode
 - D. **RX/TX:** TX=transmit mode; RX=receive mode
 - E. **SCAN** mode
 - F. **EMG** mode
 - G. **M1-M2-M3-M4:** preset memory channels
 - H. **DW:** Dual Watch activated
 - I. Frequency band selected.
 - J. **LOW:** displayed when the radio transmits in low power (this mode is possible with some frequency bands only – see the frequency band chart).
 - K. **LOCK:** microphone (UP/DOWN buttons) lock enabled.
4. **“ON/OFF Volume” Control:** in “off” position your transceiver is OFF. Turn this control clockwise to switch on the unit. Turn the knob clockwise a little more to set the audio

level, until you get a comfortable reception. With "PA-CB" selector set in "PA" position, the knob controls the audio output level.

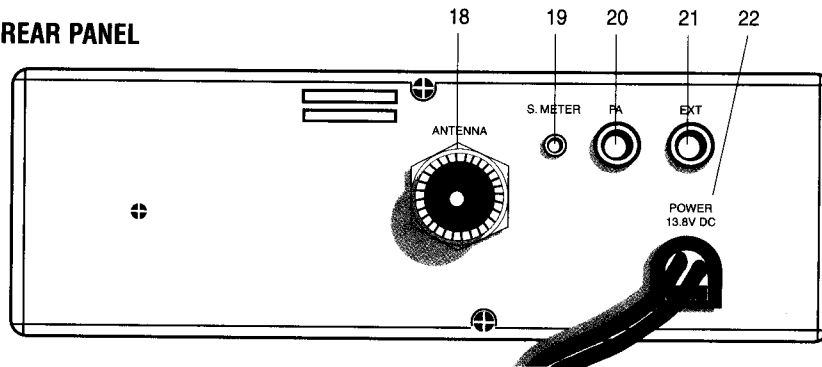
5. **"Squelch" Control:** for the maximum receiver sensitivity, the control must be regulated exactly where the receiver background noise disappears.
6. **"RF" (Radio Frequency) Gain Control:** it controls the reception sensitivity. To increase sensitivity, simply turn it clockwise. Sensitivity decreases turning it counterclockwise. Low sensitivity is useful when very strong signals are present in the band.
7. **"Mic (Microphone) Gain Control":** in TX mode, it controls the microphone amplification. To get the best results, use the microphone and set the optimum position for both the distance from your mouth and for the amplification level, asking your partner when the modulation comes out better.
8. **"M1-M2-M3-M4" buttons:** These buttons allow the storing and recalling of 4 preselected channels. How to store: select the desired channel and press M1 for at least 3 sec to store the chosen channel in the M1 memory. Repeat these steps to memorise the other presets.
9. **EMG button:** Emergency channel. By pressing it, the unit will be automatically positioned on CH 9 (emergency channel). The display will show "EMG". It will not be possible to accidentally change the channel.
- 10/11. **"Q. UP-Q. DOWN" buttons:** To skip 10 channels up (Q. UP) or 10 channels down (Q. DOWN).
12. **"CB/PA" Selector.** In the "CB" position, the unit operates as a transceiver. You can use the PA (public address) function only if you connect a speaker to the PA jack. In this case the "Volume" knob controls the amplification level.
13. **"ANL/OFF" Selector.** In the "ANL" position it activates an automatic noise limiter for the impulsive noises (caused by the engine of the car or other sources).
14. **"Local/DX" Selector** "Local" position: to receive strong signal only. "DX" position: to receive weak signals.
15. **"AM/FM"(LCR) button:** To select AM or FM mode. If you push it along with the "SCAN" button at the switching on of the radio, it selects the operating band, which will be displayed. If you select a frequency band operating in FM mode only, this button enables the LCR function (Last Channel Recall).
16. **"SCAN" button:** with this control, you can automatically seek for a busy channel. Turn the Squelch clockwise until the background noise is no longer heard. Press the "SCAN" button: the transceiver will scan automatically all the channels until a carrier is being received. If you push it along with the "AM/FM" button at the switching on of the radio, it selects the operating band, which will be displayed.
17. **DW button:** This feature allows you to scan 2 channels of your choice. When a signal on the second channel is picked up, the conversation on the first is automatically inter-

rupted and the receiver switches on the second channel. The monitoring starts again 4 seconds after the carrier disappears.

To activate this function, operate as follows:

- a. Select the desired channel through the channel selector.
- b. Press the "DW" button (DW blinks on the display).
- c. Select the second channel.
- d. Push the "DW" button again: the reading DW will remain fixed.
- e. To disable this function, press the "DW" control.

REAR PANEL



18. Antenna connector (SO239 connector type).

19. S. Meter jack: it allows an external "S. Meter" connection.

20. "PA" jack: by connecting with an external loudspeaker, you can use the unit as an audio-amplifier.

21. "EXT" jack: external loudspeaker jack (the internal loudspeaker is excluded).

22. Power 13.8V DC: power supply cable.

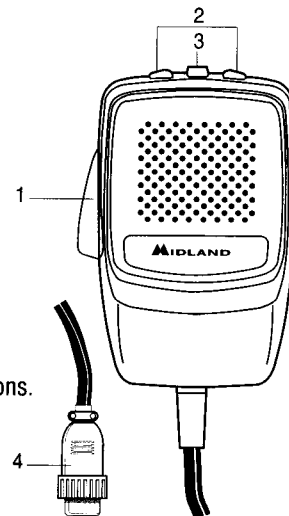
MICROPHONE

1. PTT: transmission button

2. UP/DOWN buttons: manual channel selector

3. LOCK button: it allows you to lock the UP/DOWN buttons.

4. 6 pin microphone connector



INSTALLATION

Safety and convenience are the primary consideration for mounting any piece of mobile equipment. All controls must readily available to the operator without interfering with the movements necessary for safe operation of the vehicle. Set the proper position in the car to install the transceiver using the supplied supporting bracket or eventually the slide bracket. Tighten the retaining screws. The fixing bracket must be close to metallic parts.

POWER SUPPLY

Be sure the transceiver is off. In the direct-voltage power supply, is very important to observe the polarity even if the unit is protected against the accidental inversion:

Red = positive pole (+)

Black = negative pole (-)

The same colors are present on the battery and in the fuse box of the car. Correctly connect the cable terminal to the battery.

INSTALLING AN ANTENNA

1. Place the antenna as high as possible.
2. The longer the antenna, the better will be the performance.
3. If possible, mount the antenna in the center of whatever surface you choose.
4. Keep antenna cable away from noise sources, such as the ignition switch, gauges, etc.
5. Make sure you have a solid metal-to-metal ground connection.
6. Prevent cable damage during antenna installation.

WARNING: To avoid damage, never operate your CB radio without connecting a proper antenna. A periodical control of the cable and of the S.W.R. is recommended.

HOW TO OPERATE WITH YOUR TRANSCEIVER

1. Screw the microphone plug into the microphone jack.
2. Make sure your antenna is securely connected to the antenna connector.
3. Make sure the SQUELCH control is turned fully counterclockwise.
4. Turn on the unit and adjust the volume control.
5. Select your desired channel.
6. To transmit, press the PTT button and speak in a normal tone of voice.
7. To receive, release the PTT button.

FREQUENCY BAND SELECTION

The frequency bands must be chosen according to the country where you are going to operate.

Procedure:

1. Switch off the unit.
2. Turn it on while pushing the "AM/FM" e "SCAN" buttons at the same time.
3. Rotate the "CHANNEL" knob and select the desired frequency band (see the chart here below).
4. To stop your selection, press the "AM/FM" button.

NOTE¹: In the UK frequency band, you can select directly the EC band by pushing the "AM/FM" button for 2 seconds.

NOTE²: If you select a frequency band which operates in FM mode only, the "AM/FM" control enables the LCR function (Last Channel Recall).

FREQUENCY BAND CHART

Digits displayed	Country
I	Italy 40 CH AM/FM 4Watt
I2	Italy 34 CH AM/FM 4Watt
D	Germany 80 CH FM 4Watt / 12 CH AM 1Watt
D2	Germany 40 CH FM 4Watt / 12 CH AM 1Watt
EU	Europe 40 CH FM 4Watt / 40 CH AM 1Watt
EC	CEPT 40 CH FM 4Watt
E	Spain 40 CH AM/FM 4Watt
F	France 40 CH FM 4Watt / 40 CH AM 1Watt
UK	England 40 CH FM 4 Watt English frequencies + EC 40 CH FM 4Watt CEPT frequencies

ATTENTION!

The frequency band definitely allowed all over Europe is **40CH FM 4W (EC)**

TECHNICAL SPECIFICATIONS

GENERAL

Channels	40 FM (see the frequency band chart)
Frequency Range	25.615 to 30.105 MHz
Frequency Control	PLL
Operating Temperature Range	-10°/+55° C
DC input voltage	13.8V DC ±15%
Size	180 (L)x50 (H)x150 (P) mm
Weight.....	1kg

RECEIVER

Receiving system	dual conversion superheterodyne
Intermediate frequency	I° IF: 10.695 MHz • II° IF: 455 KHz
Sensitivity.....	0.5µV for 20 dB SINAD in FM mode
.....	0.5µV for 20 dB SINAD in AM mode
Audio output power @10% THD	2.0 W @ 8 Ohm
Audio distortion	less than 8% @ 1 KHz
Image rejection	65 dB
Adjacent channel rejection.....	65 dB
Signal/Noise ratio	45 dB
Current drain at stand/by.....	250mA

TRANSMITTER

Output power.....	duty cycle 10% 4W @ 13.8V DC
Modulation	AM: from 85% to 95%
.....	FM:1,8 KHz ± 0,2 KHz
Frequency response	from 400 Hz to 2.5 KHz
Output impedance	RF 50 Ohm unbalanced
Signal/Noise Ratio	40 dB MIN
Current drain	1100mA (Power position with no modulation)

E
N
G
L
I
S
H

All specifications are subject to change without notice.

RESTRICTIONS ON THE USE - CB transceivers

COUNTRY	CB introduced	Use restrictions and other comments	Settings			
AUSTRIA	No	Not allowed				
BELGIUM	Yes	Allowed: 40 Ch - 4W FM - Individual licence is required 40 Ch - 1W AM - Individual licence is required		EU	F	EC
DENMARK	Yes	Allowed: 40 Ch - 4W FM - Free use				EC
FINLAND	Yes	Allowed: 40 Ch - 4W FM - Free use and 1W AM - Free use		EU	F	EC
FRANCE	Yes	Allowed: 40 Ch - 4W FM - Free use 40 Ch - 1W AM - Free use		EU	F	EC
GERMANY	Yes	Allowed: 80 Ch - 4W FM - Individual licence is required 12 Ch - 1W AM - Individual licence is required 40 Ch - 1W AM - Use ch 4-15 only 40 Ch - 4W FM - Free use 12 Ch - 1W AM - Individual licence is required fx Allowed: from 26.960 to 27.410 MHz "BAPT 222 ZV 104"	D	EU		EC
GREECE	Yes	Allowed: 40 Ch - 4W FM - Free use 40 Ch - 5W AM - Free use T/R 20-02	E	EU	F	I EC
IRELAND	Yes	Allowed: 40 Ch - 4W FM - Free use 40 Ch - 4W AM - Free use S.I. No 436 of 1998. WIRELESS TELEGRAPHY ACT, 1926 (SECTION3) (EXEMPTION OF CITIZENS' BAND (CB) RADIO) ORDER, 1998	E	EU	F	I EC
ITALY	Yes	Allowed: 40 Ch - 4W FM - General authorisation is required 40 Ch - 1W AM - General authorisation is required 34 Ch - 4W FM, 1W AM (ERP). Note: AM mode allowed on ch1-ch23 only PNF issued on DM 08.07.02 notes 49 A-B-C-D-E-G	E	EU	F	I EC
LUXEMBOURG	Yes	Allowed: 40 Ch - 4W FM - Free use				EC
NETHERLANDS	Yes	Allowed: 40 Ch - 4W FM - Free use 40 Ch - 1W AM - Free use		EU	F	EC
NORWAY	Yes	Allowed: 40 Ch - 4W FM - Free use				EC
PORTUGAL	Yes	Allowed: 40 Ch - 4W FM - Free use 40 Ch - 1W AM - Free use		EU	F	EC
SPAIN	Yes	Allowed: 40 Ch - 4W FM - Individual licence is required 40 Ch - 4W AM - Individual licence is required Art. 57 - Law 11/1998 dated 24th April	E	EU	F	EC
SWEDEN	Yes	Allowed: 40 Ch - 4W FM - Free use 40 Ch - 1W AM - Individual licence is required		EU	F	EC
SWITZERLAND	Yes	Allowed: 40 Ch - 4W FM - Individual licence is required 40 Ch - 1W AM - Individual licence is required		EU	F	EC
UNITED KINGDOM	Yes	Allowed: 40 Ch - 4W FM - Individual licence is required UK-RA-MPT 1382/MPT1320; UK-R&TTE -S.I.L. 2000:730	UK			EC